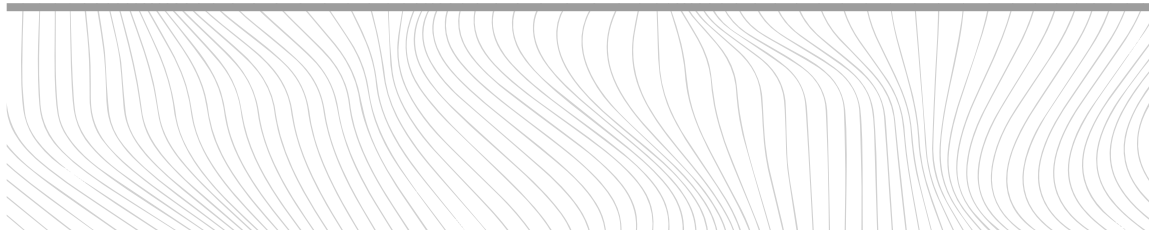
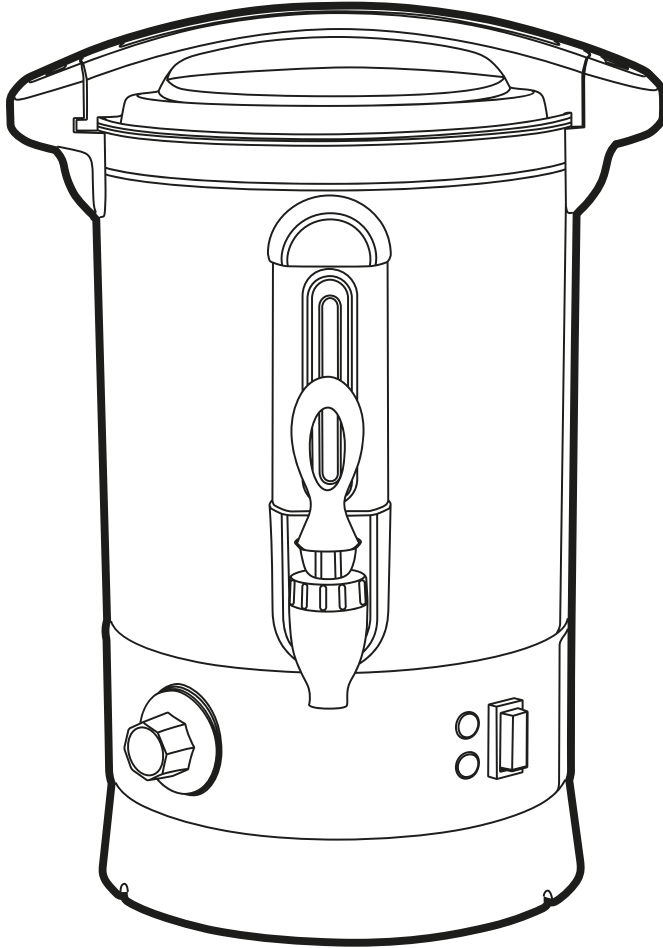
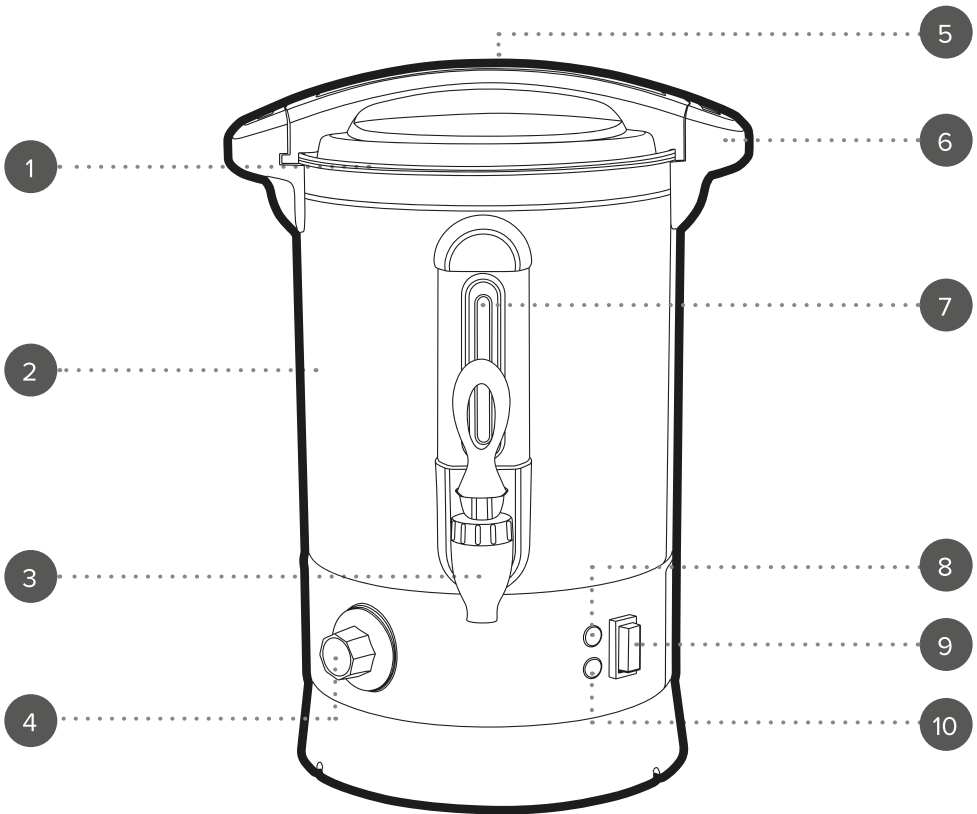


User manual

Dispenser



Description of parts



1. Lid
2. Dispenser main unit
3. Tap
4. Temperature control dial
5. Cool-touch handle

6. Carry handles
7. Max. fill mark
8. Heating indicator light
9. On/off switch
10. Keep warm indicator light

Please retain instructions for future reference.

SAFETY INSTRUCTIONS

- When using electrical appliances, basic safety precautions should always be followed.
- Check that the voltage indicated on the rating plate corresponds with that of the local network before connecting the appliance to the mains power supply.
- This appliance can be used by children aged from 8 years and above and persons with reduced physical, sensory or mental capabilities and knowledge, if they have been supervised/instructed and understand the hazards involved.
- Children shall not play with the appliance.
- Children should not perform cleaning or user maintenance, unless they are older than 8 and supervised.
- This appliance is not a toy.
- If the power supply cord, plug or any part of the appliance is malfunctioning or if it has been dropped or damaged, cease using the product immediately to avoid potential injury.
- This appliance contains no user serviceable parts, only a qualified electrician should carry out repairs. Improper repairs may place the user at risk of harm.
- Keep the appliance and its power supply cord out of the reach of children.
- Keep the appliance out of the reach of children when it is switched on or cooling down.
- Keep the appliance and its power supply cord away from heat or sharp edges that could cause damage.
- Keep the power supply cord away from any parts of the appliance that may become hot during use.
- Keep the appliance away from other heat emitting appliances.
- Do not allow the power supply cord to hang over worktops, touch hot surfaces or become twisted.
- Do not immerse the electrical components of the appliance in water or any other liquid.
- Do not operate the appliance with wet hands or if any connections are wet.
- If this appliance falls or accidentally becomes immersed in water, unplug it from the wall outlet immediately. Do not reach into the water.
- Do not leave the appliance unattended whilst connected to the mains power supply.
- Do not remove the appliance from the mains power supply by pulling the cord; switch it off and remove the plug by hand.
- Do not pull or carry the appliance by its power supply cord.
- Do not use the appliance for anything other than its intended use.

- Do not use any accessories other than those supplied.
- Do not use this appliance outdoors.
- Do not store the appliance in direct sunlight or in high humidity conditions.
- Do not move the appliance whilst it is in use.
- Always unplug the appliance after use and allow it to cool fully before any cleaning, user maintenance or storing away.
- Always use the appliance on a stable, heat-resistant surface, at a height that is comfortable for the user.
- This appliance should not be operated by means of an external timer or separate remote control system.
- Use of an extension cord with the appliance is not recommended.
- This appliance is intended for domestic use only. It should not be used for commercial purposes.



CAUTION: Hot surface – do not touch hot sections or heating components of the appliance.



WARNING: Keep the appliance away from flammable materials.

Boil-dry sensor

If the dispenser is accidentally turned on while empty, the boil-dry sensor will activate causing the power to switch off. Do not try to use the dispenser during this time; once it has cooled down, it will resume its normal function.

Removing limescale

Limescale can develop over time and may affect the performance and lifespan of the dispenser.

It is recommended to descale the dispenser regularly, at least once every three months, especially if the dispenser is used in a hard water area. Frequent descaling will improve the performance and lifespan of the dispenser.

STEP 1: Fill the dispenser with 2 litres of cold water.

STEP 2: Add a commercial descaling agent to the dispenser, adhering to the manufacturer's instructions. It is not recommended to use vinegar to descale the dispenser.



If the dispenser switches off before it has boiled or a white deposit is noticed on the inside of the dispenser, it needs to be descaled.

Care and maintenance

Before attempting any cleaning or maintenance, unplug the dispenser from the mains power supply and allow it to cool fully. Always detach the power cord before cleaning.

STEP 1: Wipe the dispenser main unit with a damp cloth and dry thoroughly.

STEP 2: Clean the interior with warm, soapy water, then rinse and dry thoroughly. Make sure that water does not come into contact with any electrical components.

STEP 3: Before boiling any liquids for drinking, always boil clean water for approx. 30 minutes to remove any residual odours or materials from manufacturing following the instructions in the section entitled '**Using the dispenser**'. Discard this water and clean the dispenser before use.

Do not immerse the dispenser in water or any other liquid.

Never use harsh or abrasive cleaning detergents or scourers to clean the dispenser or its accessories, as this could damage the surface.



NOTE: The dispenser should be cleaned after every use.

Instructions for use

Before first use

Before connecting to the mains power supply, clean the dispenser following the instructions in the section entitled '**Care and maintenance**'.



NOTE: When using the dispenser for the first time, a slight smoke or odour may be emitted. This is normal and will soon subside. Allow for sufficient ventilation around the dispenser.

Using the dispenser

STEP 1: Remove the lid by twisting and lifting it away from the dispenser main unit.

STEP 2: Place the dispenser in the location where it will be used and check that it is level and stable. The dispenser should not be moved once full.

STEP 3: Fill the dispenser with water, cider or mulled wine until it reaches the desired level. Do not exceed the max. fill mark. Replace the lid by twisting it into place.

STEP 4: Plug in and switch on the dispenser at the mains power supply. The keep warm indicator light will illuminate.

STEP 5: Select a temperature setting by rotating the temperature control dial in a clockwise direction. The heating indicator light will illuminate whilst the dispenser is heating up. Depending on the volume of liquid and the selected temperature setting, it may take up to 30 minutes for the dispenser to fully heat up.

STEP 6: Once the target temperature is reached, the heating indicator light will turn off and the keep warm light will illuminate again. During use, the heating indicator light will cycle on and off to indicate that the dispenser is maintaining the selected temperature.

STEP 7: To dispense liquid, use the tap at the bottom of the dispenser. Press and hold the tap downwards to dispense liquid. For continuous pouring, flip the tap upwards. Once

the desired amount of liquid is dispensed, return the tap to neutral position.

STEP 8: During use, the liquid level may become too low. This can be monitored using the fill gauge. If the dispenser requires topping up, open the lid using heatproof gloves. Be sure to keep a safe distance away from the dispenser, as steam may be released. Top up the dispenser as required, replace the lid, and wait for the liquid to heat up to the selected temperature.

STEP 9: To turn off the dispenser, rotate the temperature control dial in an anticlockwise direction to the 'Off' position.

STEP 10: Switch off and unplug the dispenser from the mains power supply and allow to cool. This may take some time if there is still hot liquid inside. Once cool, empty the dispenser and store safely.



NOTE: Never place the dispenser on a surface that cannot easily support its weight. When filled to the max. fill mark, the dispenser weighs approx. 9 kg.



CAUTION: The dispenser should not be used without the lid. Never move the dispenser while it contains hot liquid. The dispenser gets very hot during use; always use heat-resistant gloves to avoid injury, and do not touch any part of the dispenser other than the cool-touch handles or tap.



WARNING: Exercise caution while heating liquid; the dispenser may emit steam. Temperatures above 90 °C may cause liquid to boil over if left unmonitored. Never leave liquid to boil at high temperatures for long periods of time unattended and decrease the temperature setting if any boiling over is observed. Setting the dispenser to 110 °C will not cause liquid to boil faster. Never heat volatile or flammable liquids.

Storage

Check that the dispenser is cool, clean and dry before storing in a cool, dry place. Never wrap the cord tightly around the dispenser; wrap it loosely to avoid causing damage.

Specifications

Product code: PT2907

Input: 220–240 V ~ 50–60 Hz

Output: 1500 W



Disposal of Waste Batteries and Electrical and Electronic Equipment



This symbol on the product, its batteries or its packaging means that this product and any batteries it contains must not be disposed of with household waste. Instead, it is the user's responsibility to hand this over to an applicable collection point for the recycling of batteries and electrical and electronic equipment. This separate collection and recycling will help to conserve natural resources and prevent potential negative consequences for human health and the environment due to the possible presence of hazardous substances in batteries and electrical and electronic equipment, which could be caused by inappropriate disposal. Some retailers provide take-back services which allow the user to return exhausted equipment for appropriate disposal. **It is the user's responsibility to delete any data on electrical and electronic equipment prior to disposal.** For more information about where to drop batteries, electrical and electronic waste off, please contact the local city/municipality office, household waste disposal service, or the retailer.

Manufactured by:
Ultimate Products UK Ltd.,
Victoria Street, Manchester OL9 0DD. **UK.**
Ultimate Products Europe Ltd.,
19 Baggot Street Lower, Dublin D02 X658. **ROI.**

MADE IN CHINA.

CD140818/MD130324/V3